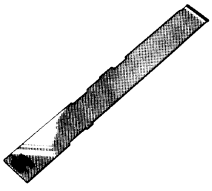
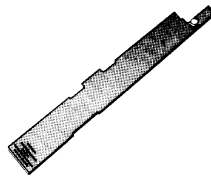
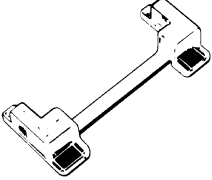
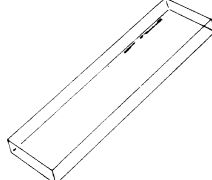
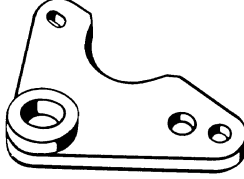
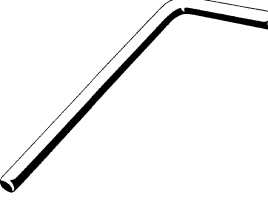

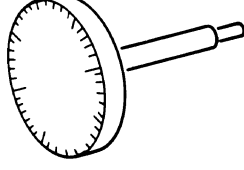
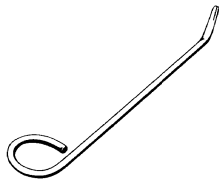
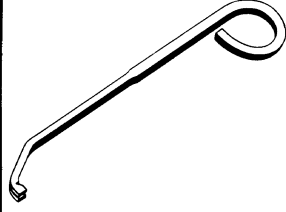
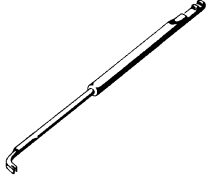

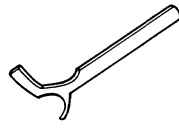
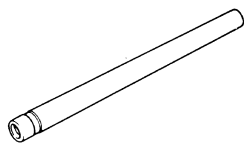
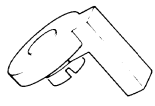



**GAUGES, ALIGNERS, ADJUSTING TOOLS,
GROUP 7
AND TIMING TOOLS**

 <p>451893 GAUGE, HAMMER CHAIN ALIGNMENT (1403)</p>	 <p>452457 GAUGE, HAMMER CHAIN ALIGNMENT (1403/3, 1403/N1)</p>
 <p>608183 GAUGE, INTERMITTENT ROLL</p>	 <p>454326 GAUGE, DUPLICATING BRUSH</p>
 <p>610147 GAUGE, READER CLUTCH</p>	 <p>460028 ALIGNING TOOL, CODE PLATE</p>
 <p>9900575 HOOVEROMETER</p>	 <p>9900427 HAND CYCLE WHEEL</p>

**GAUGES, ALIGNERS, ADJUSTING TOOLS,
AND TIMING TOOLS GROUP 7**

 <p>10407 BENDING TOOL, CHUTE BLADE END</p>	 <p>450364 BENDING TOOL, BRUSH</p>
 <p>450224 BENDING, TOOL, CONTACT, SELECTOR</p>	 <p>*489150 ADJUSTING TOOL, CONTACT SPRING</p>
 <p>9900508 COMPOSER, VELOCITY CONTROL ADJ.</p>	 <p>9900601 VIEWER STREAM (OS6) (MICROSCOPE) 9900685 COVERS, LENS</p>
 <p>9900633 ROTATE SELECTION ADJ. TOOL</p>	 <p>9900533 GAUGE ELEMENT ESC & COMPOSER 9900525 GAUGE ELEMENT EXECUTIVE MC</p>